

DATA SHEET

VASF 2.50/1-0.XXXXX BASIC SIDE CHANNEL VACUUM PUMPS

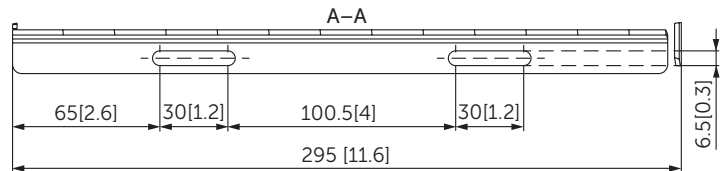
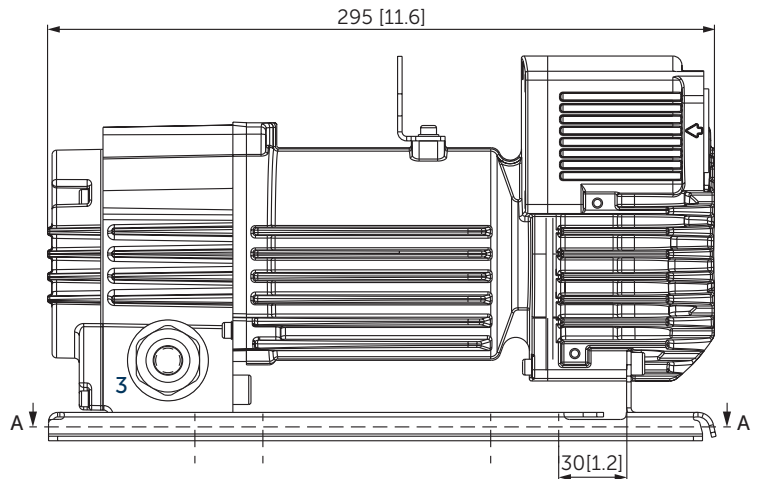
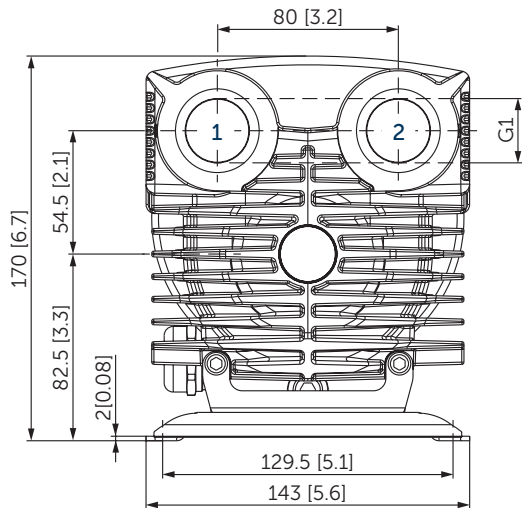
single stage, air-cooled
frequency inverter

MAKE IT BECKER.



figure VASF 2.80

TYPE 1 – STANDARD



- 1 Vacuum connection (G 1)
- 2 Pressure connection (G 1)
- 3 SKINTOP MS-SC-M32x1.5 EMV
clamping range \varnothing 11–22 mm [0.4–0.9 inch]
- Dimensions in mm [inch]

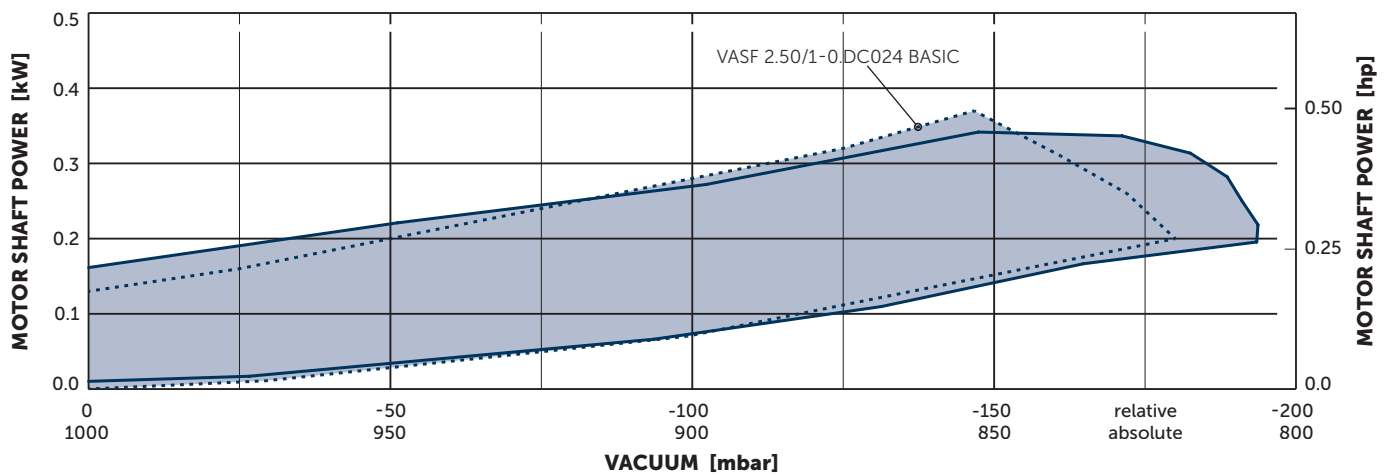
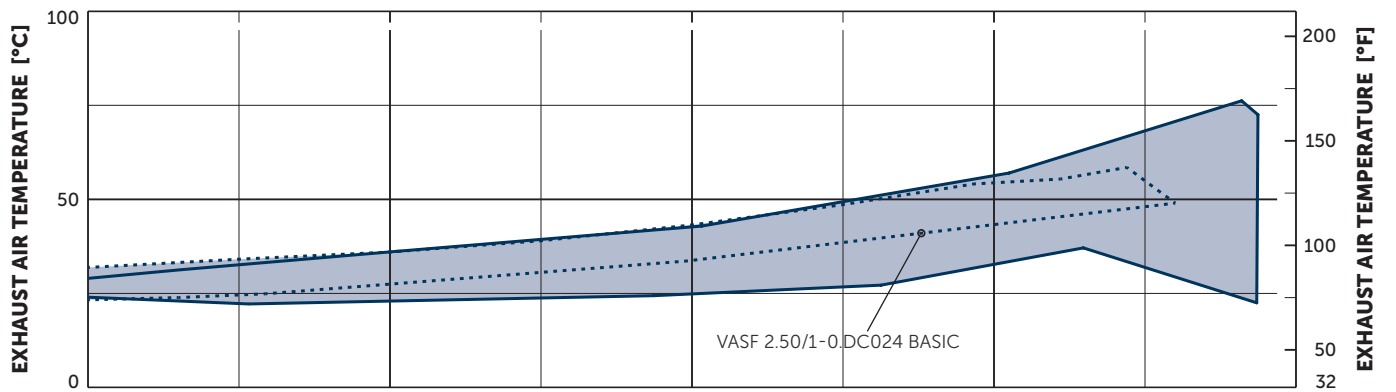
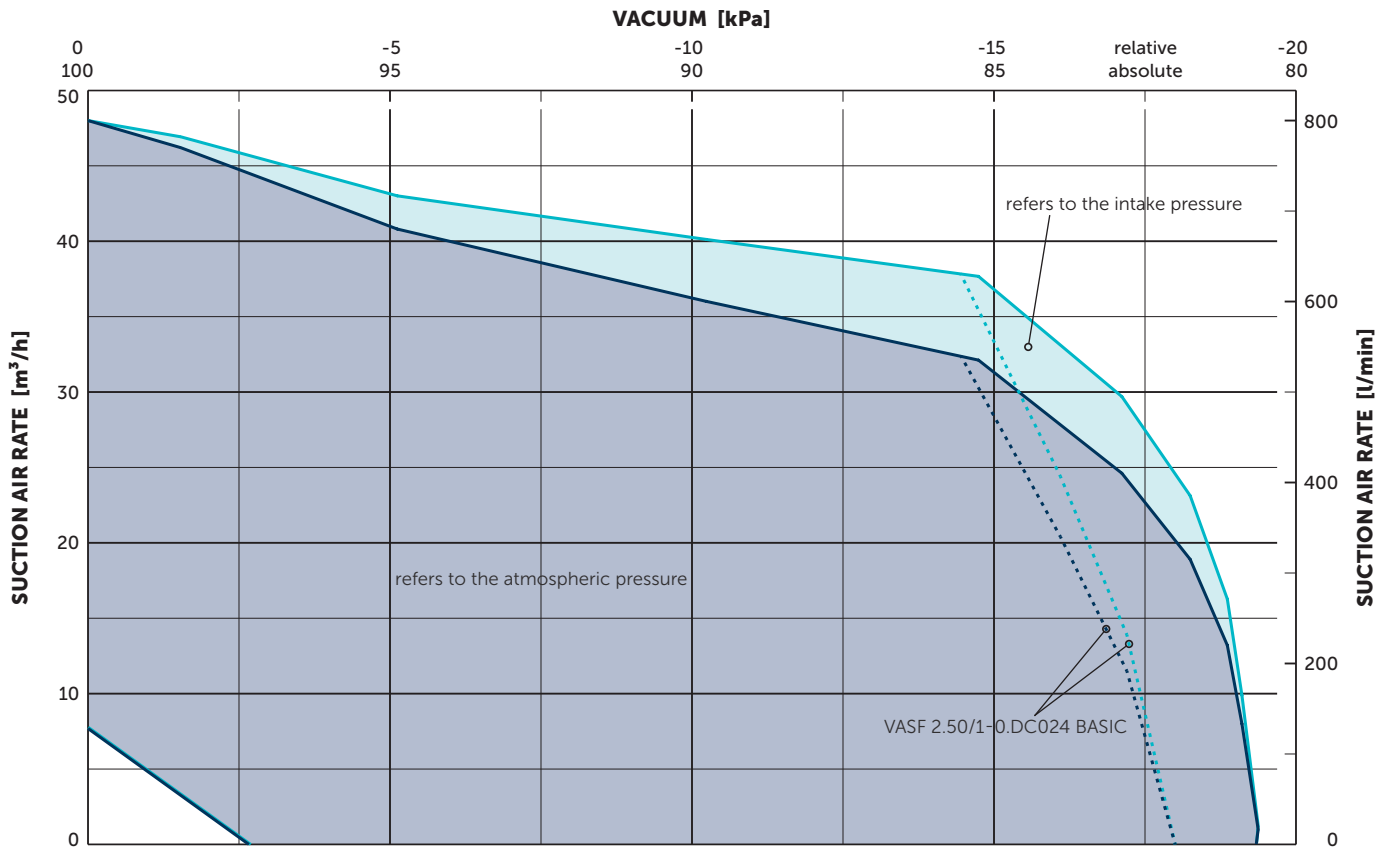
VASF 2.50/1	Suction air rate	Vacuum relative		Frequency	Emission sound pressure level ¹⁾	Weight				
		mbar max.	kPa max.			Hz	dB(A)	Type 1		
-0.AC230 BASIC	48	-195	-19.5	50–300	63 ²⁾ / 76 ³⁾	7.3	7.6	8.2	0.40 kW AC 1~ 200 V -10% ... 230 V +10% 50/60 Hz	4
-0.AC115 BASIC	48	-195	-19.5	50–300	63 ²⁾ / 76 ³⁾	7.3	7.6	8.2	0.41 kW AC 1~ 100 V -10% ... 115 V +10% 50/60 Hz	6
-0.DC024 BASIC	48	-180	-18.0	50–300	57 ²⁾ / 80 ³⁾	7.3	7.6	8.2	0.40 kW DC 24 V \pm 20%	25

¹⁾ According to DIN EN ISO 11203, accuracy class of measurement: class 2, extended measurement uncertainty: 3 dB, 1 m [39.4 inch] distance

²⁾ With silencers, both sides piped (pressure and vacuum)

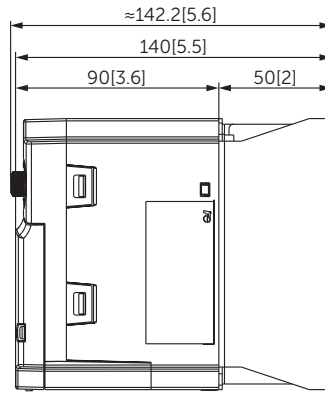
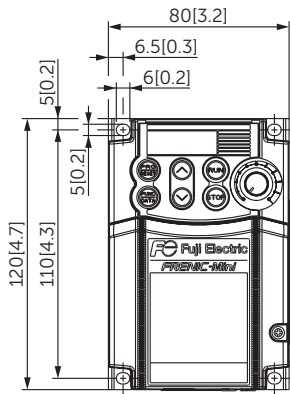
³⁾ Without silencers, consumer side piped (vacuum), other side open (pressure)

- Frequency inverters including mains filter; for more information about the frequency inverters, see the instructions



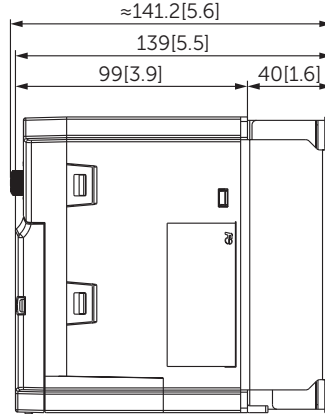
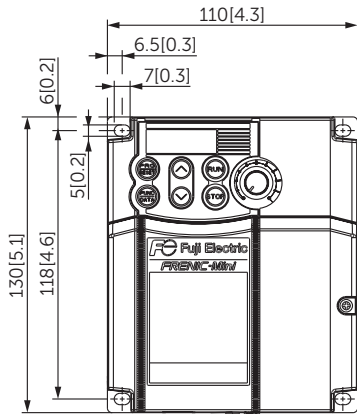
Reference data (atmosphere): 1000 mbar (100 kPa), 20°C (68°F)
 Tolerance: ±10%
 Max. ambient temperature: ≤ 45°C (≤ 113°F)

FREQUENCY INVERTER AC 230 V

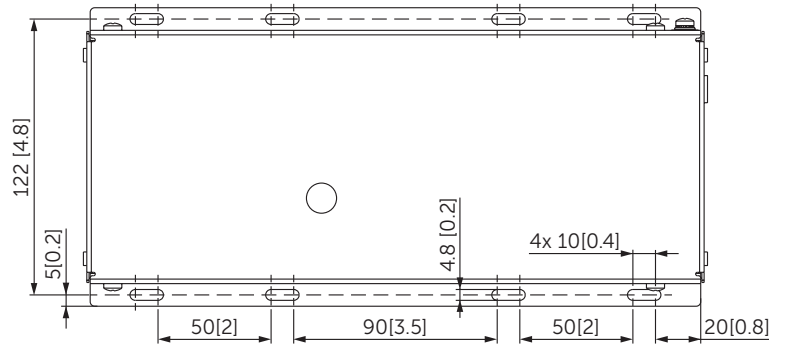
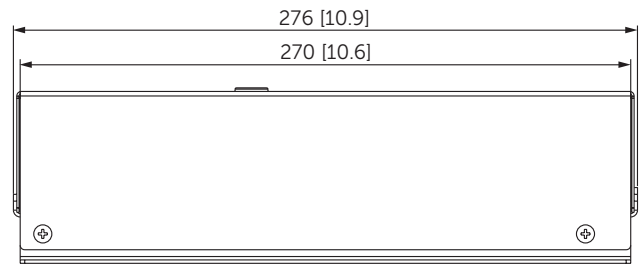
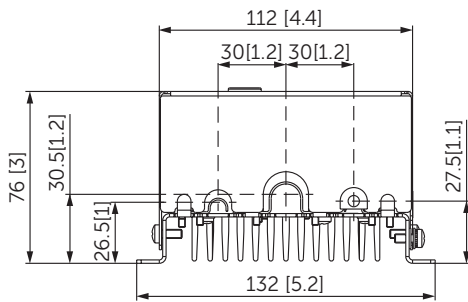


kg		
AC 230 V	AC 115 V	DC 24 V
0.9	1.3	1.6

FREQUENCY INVERTER AC 115 V



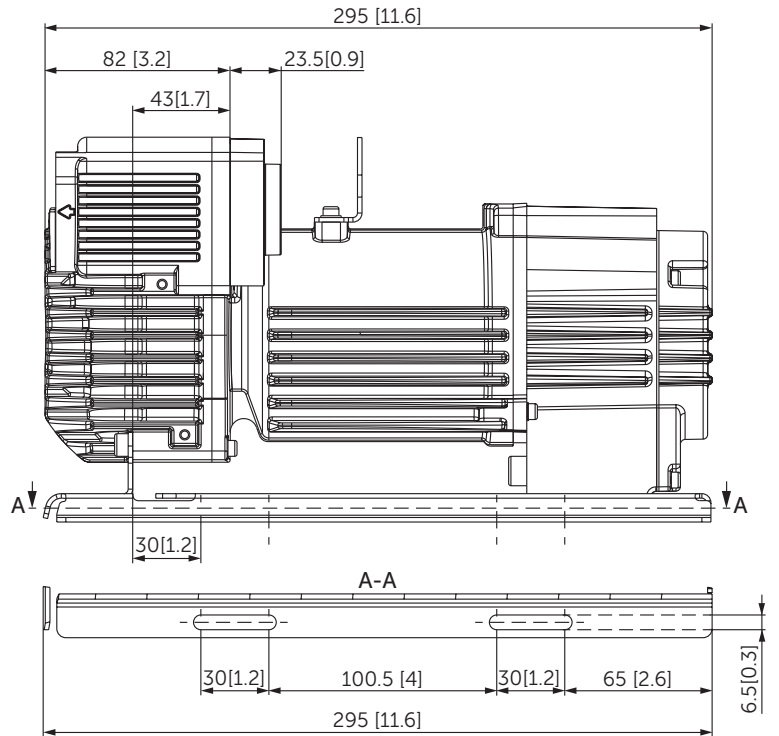
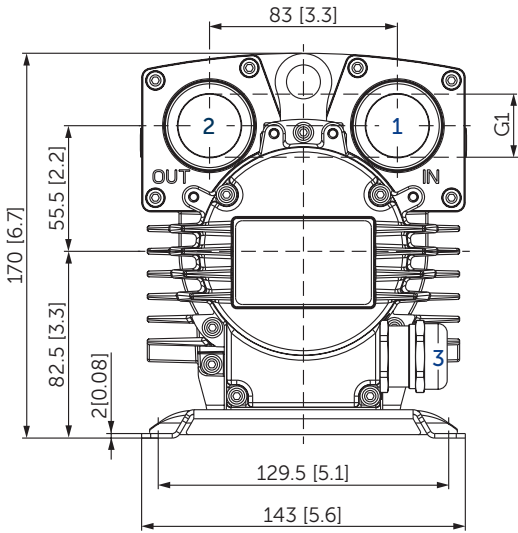
FREQUENCY INVERTER DC 24 V



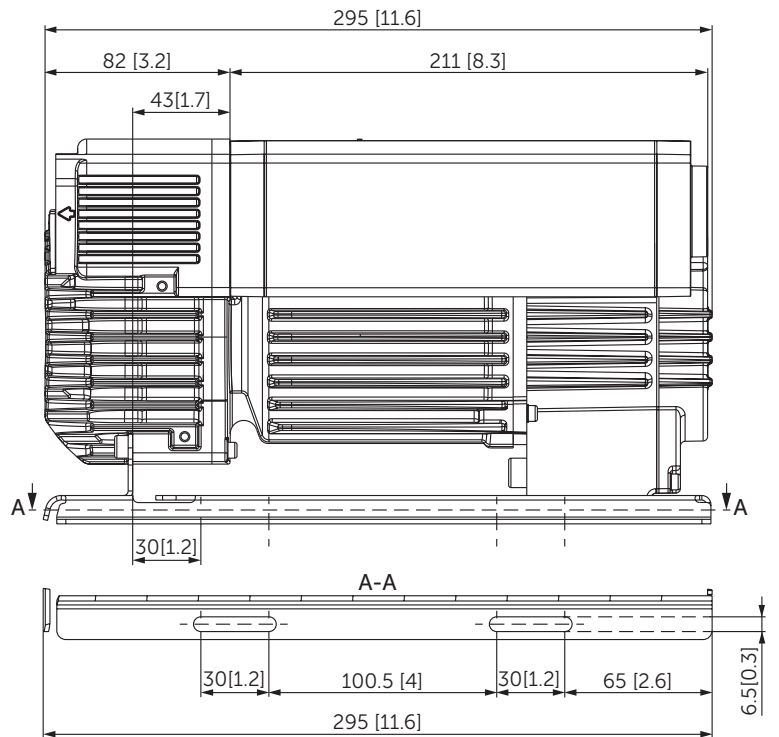
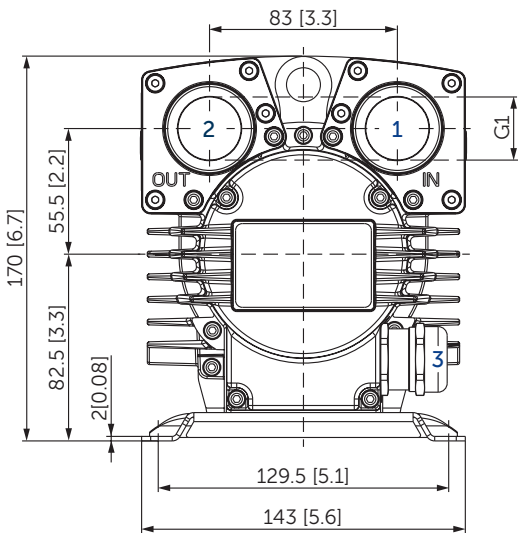
▪ For more information about the frequency inverters, see the instructions

+ VARIANTS AND ACCESSORIES

TYPE 2 – REAR CONNECTIONS



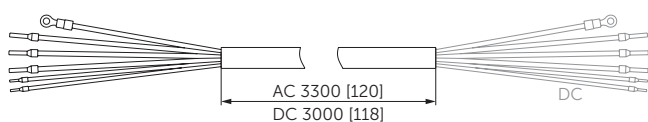
TYPE 3 – WITH SILENCERS



CABLE

AC WN211-267 (NO. 74202670000)

DC WN211-231 (NO. 74202310000)



- 1 Vacuum connection (G 1)
- 2 Pressure connection (G 1)
- 3 SKINTOP MS-SC-M32x1.5 EMV clamping range \varnothing 11–22 mm [0.4–0.9 inch]
- Dimensions in mm [inch]



MAKE IT BECKER.